

LIQUID STRAINER

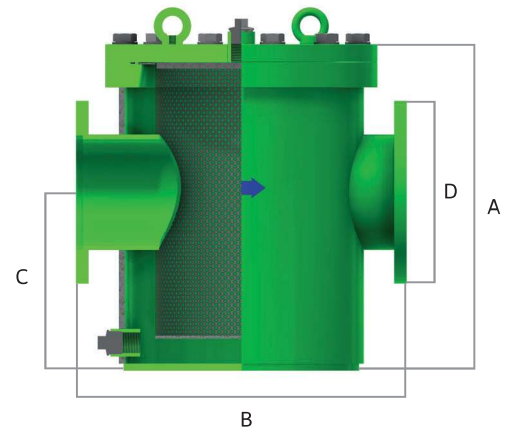
Application area: mainly used for filtering sea water cooling systems. Can also be used for other types of liquids, such as fuel oil. Function: Separation of particles from liquids. The particles remain inside the bottom of the basket filter insert. Features to simplify supervision and maintenance, and to increase the lifetime of the strainer:



- ▶ Inlet connection at the top for installation of pressure gauge, or possibly flushing
- ▶ Outlet valve for drainage at the bottom
- ▶ Flange opening in the top of the filter for easy inspection
- ▶ The basket insert can easily be removed and cleaned
- ▶ Option: Zinc anode installed in the bottom of the filter
- ▶ Option: Custom specified in- and outlet solutions

Performance /size:

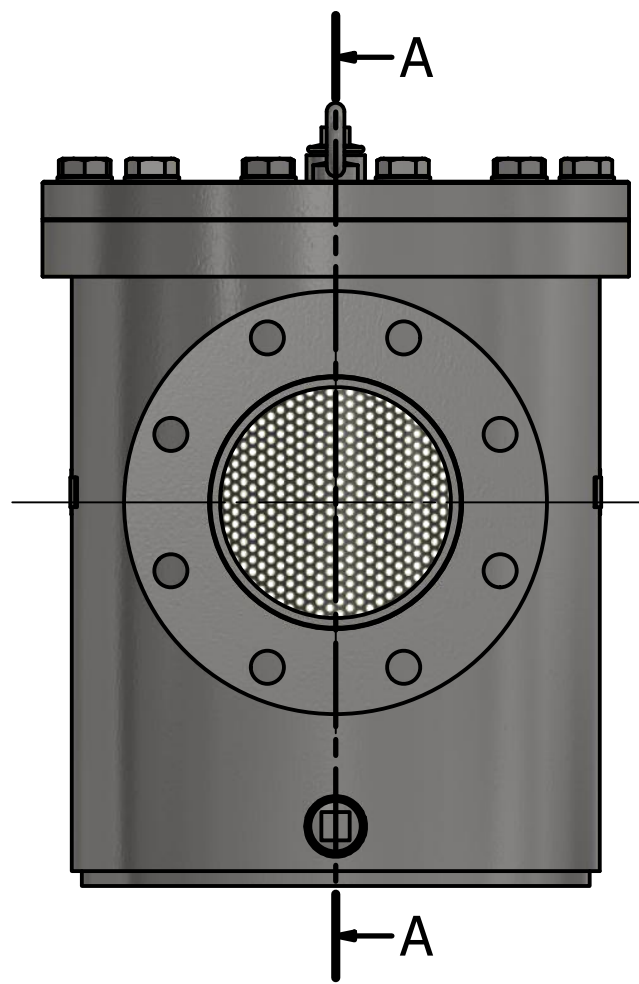
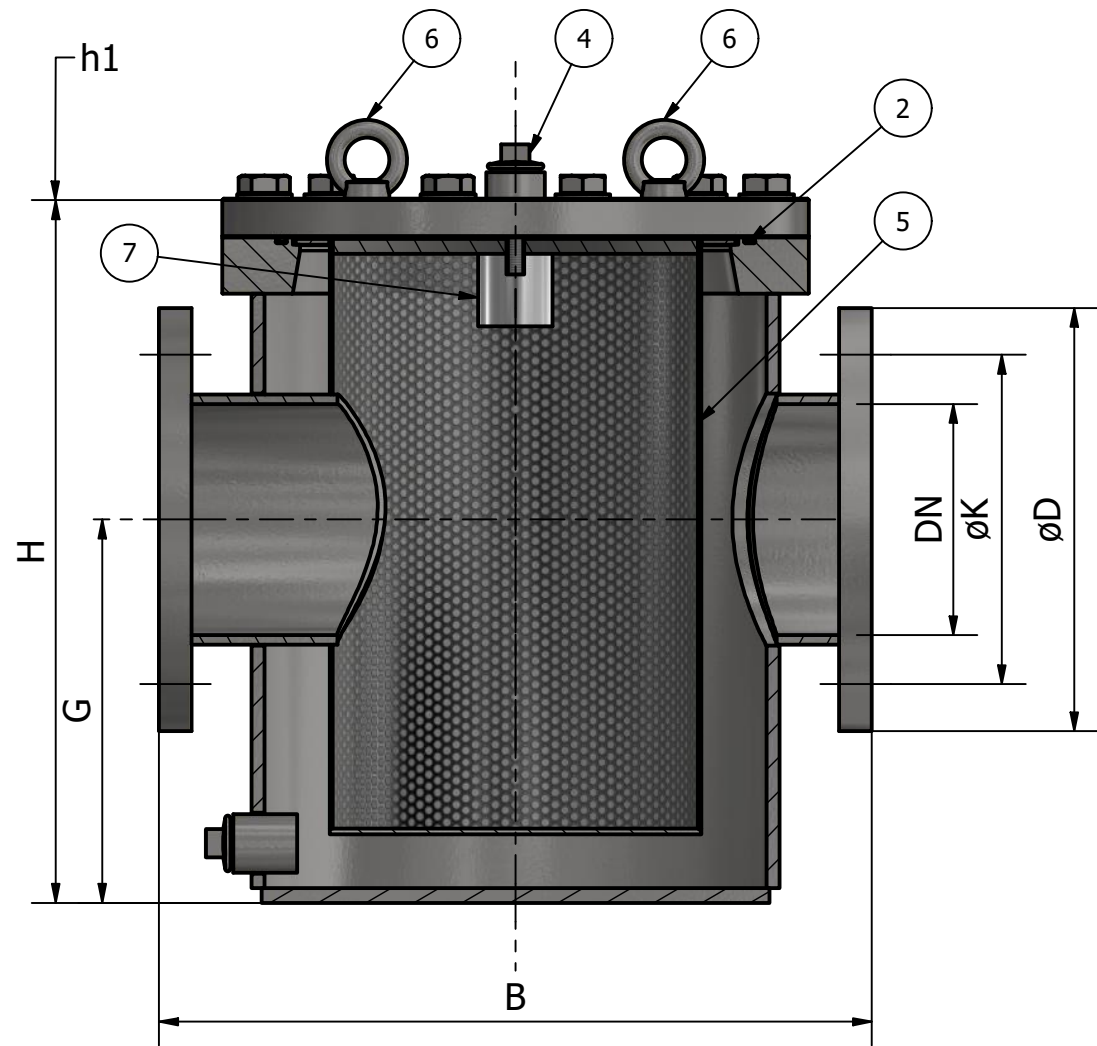
- ▶ Size: DN 320 to DN 1000
- ▶ Operation pressure: up to 64 bar (High pressure)
- ▶ Standard filter perforations: D=10mm
- ▶ Materials: Carbon steel, SS316, Duplex, Super Duplex, others on request
- ▶ Surface treatment: painting or galvanization



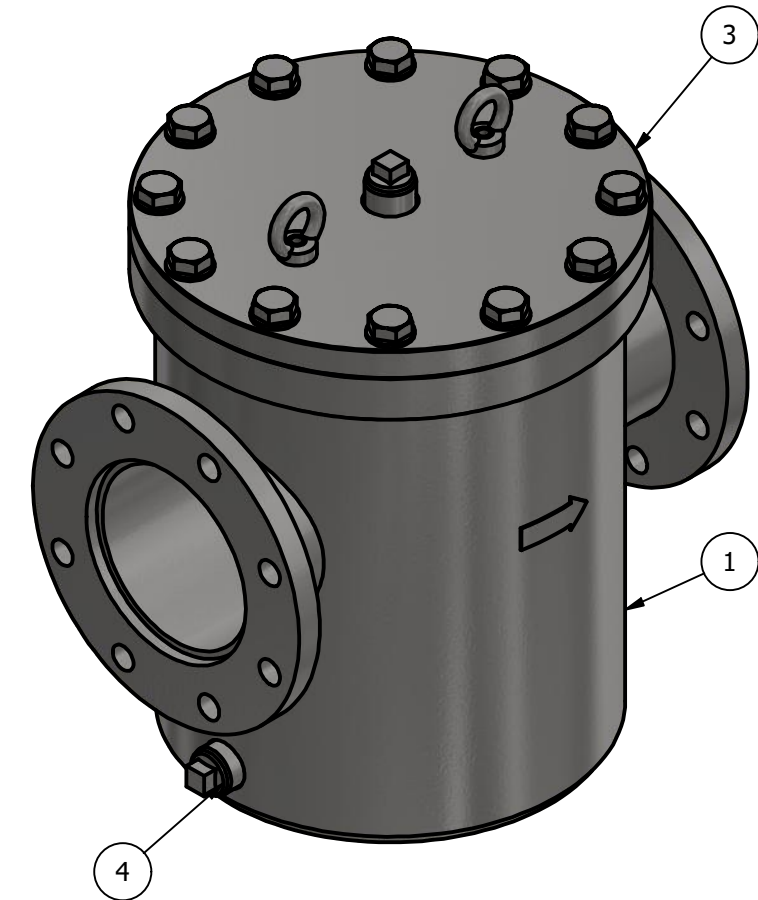
Weight and size

Basket strainer	DN – Inch														
	32 - 1 1/4"	40 - 1 1/2"	50 - 2"	65 - 2 2/5"	80 - 3"	100 - 4"	125 - 5"	150 - 6"	200 - 8"	250 - 10"	300 - 12"	350 - 14"	400 - 16"	450 - 18"	500 - 20"
A (mm)	250	260	260	260	310	352	450	474	593	609	609	790	790	1100	1100
B (mm)	200	290	290	290	310	350	400	480	600	600	600	740	740	1000	1080
C (mm)	91	110	110	110	130	195	275	258	340	340	340	400	400	610	610
D	Flange connection acc. to any standard.														
Weight (kg)	26	31	36	40	49	53	97	103	179	195	210	460	490	760	790

For bigger sizes, please contact us.



REVISION HISTORY			
REV	DESCRIPTION	DATE	APPROVED
	Original Drawing		OYSK



- Flange drilling according to requirements.
- Standard perforation: 3mm, 5mm and 8mm.
- Reverser Flow is available on request.
- h1: Min. Service space.

DN	PN	B	G	H	h1	øK	øD	Weight Kg
32	16	200	91	250	200	100	150	26
50	16	290	110	260	210	125	165	31
65	16	290	110	260	210	145	185	36
80	16	310	130	310	250	160	200	49
100	16	350	195	352	280	180	220	53
125	16	400	275	450	320	210	250	97
150	16	480	258	474	380	240	285	103
200	10	600	340	593	470	295	340	179
250	10	600	333	609	470	350	395	195
300	10	600	308	609	580	400	445	210
350	10	740	400	790	700	460	505	460
400	10	740	400	790	700	515	565	490
450	10	1000	610	1100	1000	565	615	760
500	10	1080	610	1100	1000	620	670	790
600	10	1100	610	1100	1000	725	780	810
700	10	1200	650	1200	1100	840	895	840
800	10	1400	710	1300	1300	950	1050	980
900	10	1400	900	1600	1600	1050	1115	1330
1000	10	2150	935	1720	1720	1160	1230	1950

Pos	Qua	Name	Material	Optional Material
1	1	Body	S355J2+N	Hot dip galvanized or painted acc. to request
2	1	Gasket	O-ring(Nitril)	-
3	1	Top	S355J2+N	Hot dip galvanized or painted acc. to request
4	1	Draining	S355J2+N	Hot dip galvanized or painted acc. to request
5	1	Strainer	Aisi SS316L	Duplex, Super duplex or Titan
6	1	Lifting device	S355J2+N	Hot dip galvanized or painted acc. to request
7	2	Anode alloy	Aluminium	Zink

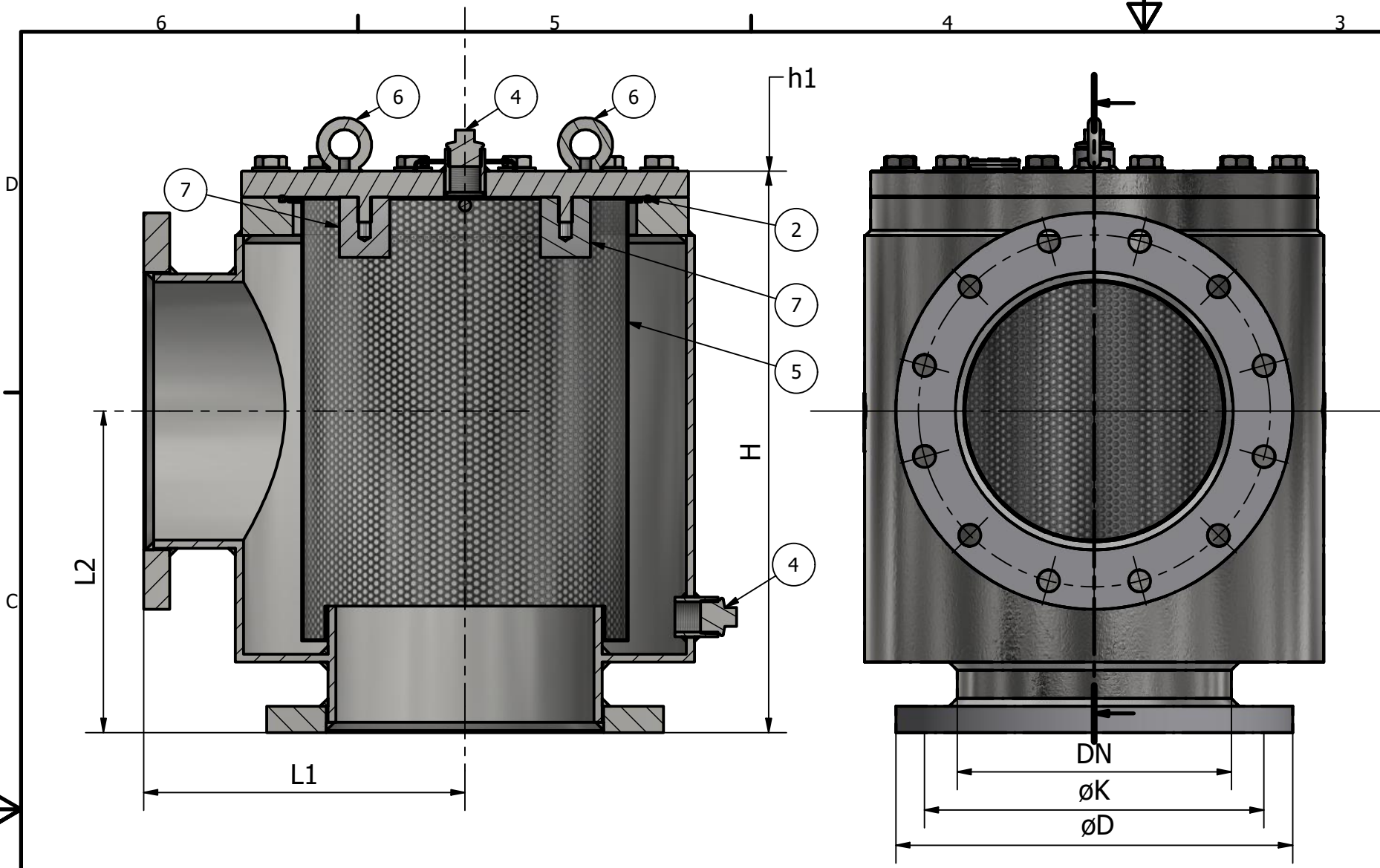
This drawing/specification is the property of JOHN GJERDE AS and must neither be used, reproduced or handed over to a third part without our permission.

www.gjerde.com

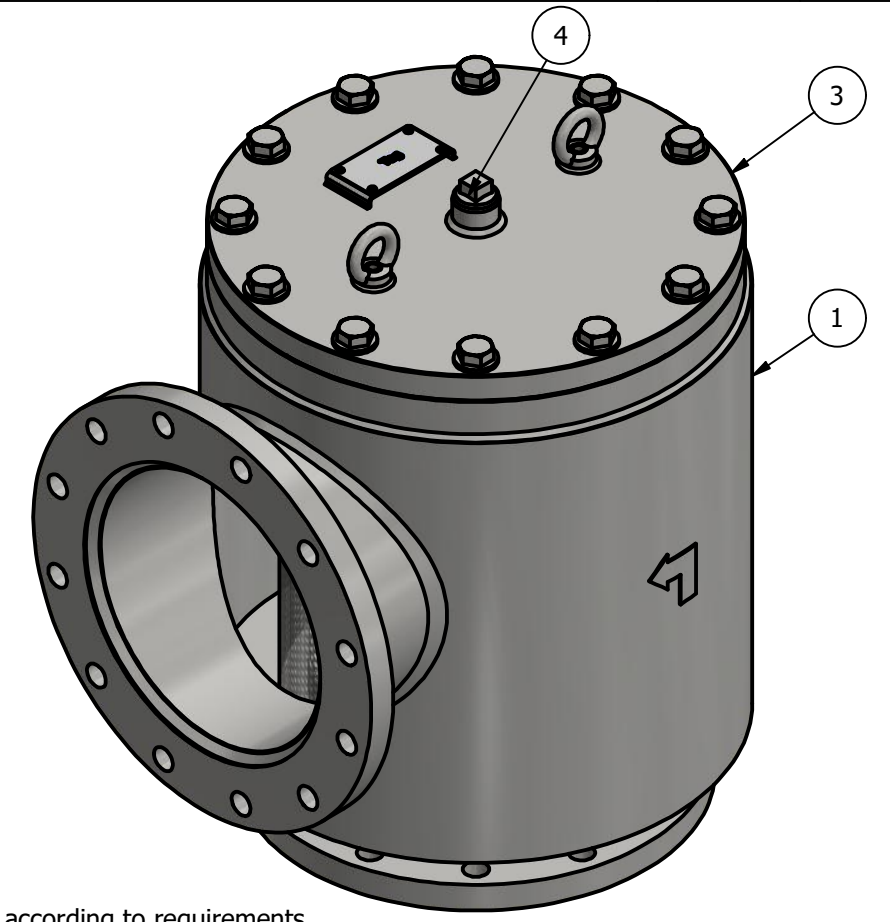


GUARDING YOUR VALUES

Date		Sign	
Drawn	05.10.2020	@yvind. Ask	
File	GeneralSales.idw		
Check	OYSK		
Plot	08.10.20		
Title	Draw. no.	Weight: NA	
DN 32 – 1000			



REVISION HISTORY			
REV	DESCRIPTION	DATE	APPROVED
	Original Drawing		OYSK



- Flange drilling according to requirements.
- Standard perforation: 3mm, 5mm and 8mm.
- Reverser Flow is available on request.
- h1: Min. Service space.

DN	PN	H	h1	L1	L2	øK	øD	Weight Kg
50	16	280	170	150	150	125	165	31
65	16	280	170	150	150	145	185	36
80	16	330	200	175	175	160	200	49
100	16	350	220	195	195	180	220	53
125	16	415	280	220	220	210	250	97
150	16	470	310	270	270	240	285	103
200	10	540	350	300	300	295	340	179
250	10	660	470	390	390	350	395	195
300	10	760	590	450	450	400	445	210
350	10	800	610	500	500	460	505	460
400	10	900	710	500	500	515	565	490
450	10	1050	1050	625	625	565	615	520
500	10	1180	1200	675	675	620	670	600
600	10	1050	1050	550	610	725	780	550
700	10	1190	1200	700	700	840	895	780
800	10	1340	1200	750	750	950	1015	1030
900	10	1440	1300	800	800	1050	1115	1190
1000	10	1600	1400	900	900	1160	1230	1850

Pos	Qua	Name	Material	Optional Material
1	1	Body	S355J2+N	Hot dip galvanized or painted acc. to request
2	1	Gasket	O-ring(Nitril)	-
3	1	Top	S355J2+N	Hot dip galvanized or painted acc. to request
4	2	Drain	S355J2+N	Hot dip galvanized or painted acc. to request
5	1	Strainer	Aisi SS 316L	Duplex, Super duplex or Titan
6	2	Lifting device	S355J2+N	Hot dip galvanized or painted acc. to request
7	2	Anode alloy	Aluminium	Zink

This drawing/specification is the property of JOHN GJERDE AS and must neither be used, reproduced or handed over to a third part without our permission.

www.gjerde.com



JOHN GJERDE™
GUARDING YOUR VALUES

Drawn	07.10.2020	Wind, Ask
File		
Check		OYSK
Plot	08.10.2020	

Title: _____ Draw. no. _____ Weight: NA

DN 50 – 1000