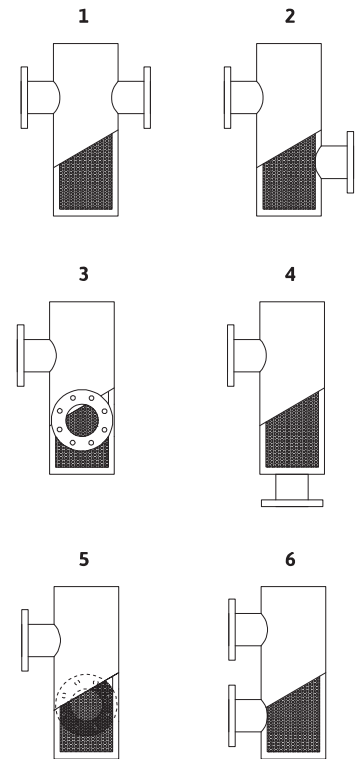


CUSTOM MADE STRAINERS

☒-strainers can be manufactured according to customer requirements for special applications: e.g. limited space, abnormal pressures, need for extraordinary sizes or capacity. Please contact our Sales Department for more information about custom products. We deliver robust quality products acc. to specification, with short delivery time.

- ▶ Materials: Carbon steel, SS316, Duplex, Super Duplex, others on request
- ▶ Surface treatment: painting or galvanization
- ▶ Documentation: pressure drop calculation and testing on order request
- ▶ Configurations: acc. to customer specification, see examples beside



CUSTOM MADE BASKETS

The strainers are available in all kind of perforations and materials such as SS316, Duplex, Super Duplex, Monel, etc.

All customer-specific strainer baskets can be delivered with pressure drop documentation.

