

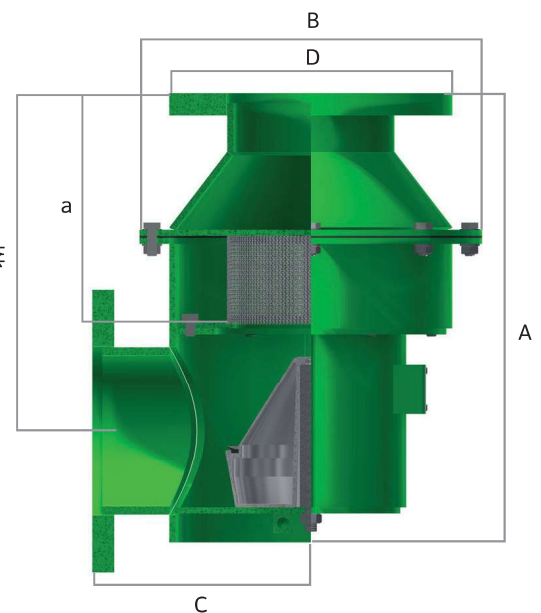
HIDE 6 STEEL

Inverted mounted

The HIDE 6 Steel is a welded vent check valve for venting through superstructures, made for inverted mounting with inlet at the top. All HIDE valves are self-draining, which prevents leakage into the tank. HIDE valves are approved by all the most common classification societies. For pressure drop and flow rate, visit our web page www.gjerde.com

Options:

- ▶ Flame/Bug/Rat screen
- ▶ Heating/Winterization
- ▶ Additional mud chamber preventing mud from entering the valve (see page 29)
- ▶ Painting
- ▶ Mounting alternatives: flanged, threaded or weldment
- ▶ Can be ordered in galvanized steel, stainless steel or higher Duplex steel qualities.



Performance, weight and size

Hide 6 Steel	DN – Inch									
	40 - 1 1/2"	50 - 2"	65 - 2 1/2"	80 - 3"	100 - 4"	125 - 5"	150 - 6"	200 - 8"	250 - 10"	300 - 12"
A (mm)	247	247	299	315	357	418	453	558	684	810
B (mm)	179	179	219	244	270	300	345	410	490	600
C (mm)	130	130	140	160	170	190	220	250	300	360
E (mm)	190	190	230	240	270	320	340	420	520	620
a (mm)	118	118	158	160	196	223	231	283	348	425
D	Flange connection acc. to any standard.									
Weight (kg)	10	12	16	20	24	34	41	61	88	123
Heating (Watt)	75	75	75	75	120	120	120	180	180	180
Inlet air flow in m³/h¹⁾	240	105	109	290	370	620	1145	1700	2825	4330
Inlet air flow in m³/h²⁾	210	115	200	255	370	620	1145	1700	2475	4330

1) No screen 2) With screen

